

## P3000-AB

### Vertical Wind Turbine (VAWT)

Suitable for any Application; Urban to Rural, Residential to Commercial, Industrial to Institutional

#### Performance

Rated Power	3kW
Max Power	3.6kW
Rated Wind Speed	12m/s
Cut-In Speed	2.5m/s
Cut-Out Speed	25m/s
Survival Wind Speed	50m/s

#### Physical Parameters

Mill Diameter	3m 9.9ft)
Mill Height	3.6m(10.8ft)
Mill Weight	650kg (1433lbs.)
Tower Height & Weight	5.5m (18ft) 450kg (992lbs.)

#### Generator Parameters

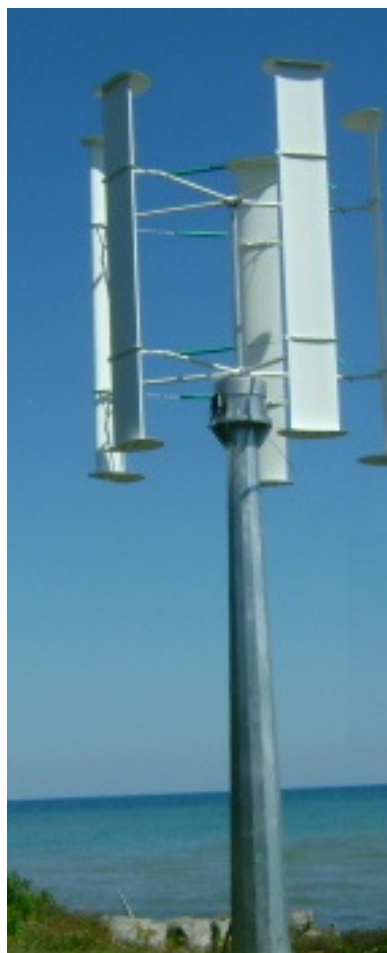
Type	PMG 3 Phase
Rated Voltage	AC 250V
Rated Current	AC 6.9A
Protection Level	IP54

#### Controller Output

Output Voltage (On-grid)	DC 50-375V
Output Voltage (Off-grid)	DC 48V

#### Over Speed Protection & Braking System

Speed Control Style	Pitch Control System
Brake Style	Automatic Magnet Brake

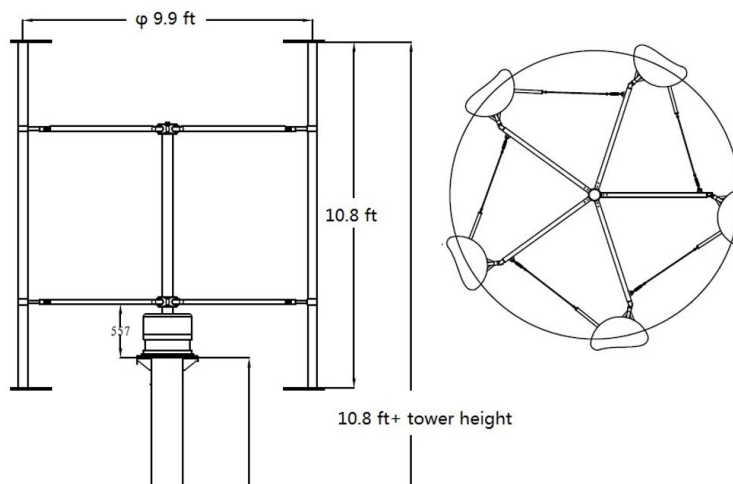


#### Advantages of VAWT

- Nearly Quiet
- Birds Friendly
- More Safety Features
- Wonderful Performance at Low Wind Speed
- Captures Wind from All Directions
- Longer Working Life
- Less Maintenance
- Less Requirements on Foundation
- Lower Supporting Tower

#### Advantages over Other VAWT

- High Efficiency
- Pitch Control to Govern Speed
- Automatic Magnet Brake



**Annual power generation**

Average Wind Speed(m/s)	<u>2</u>	<u>3</u>	<u>4</u>	<u>5</u>	<u>6</u>	<u>7</u>	<u>8</u>	<u>9</u>	<u>10</u>
Production (kWh)	332	1055	2,340	4,211	6,503	8,950	11,320	13,459	15,266

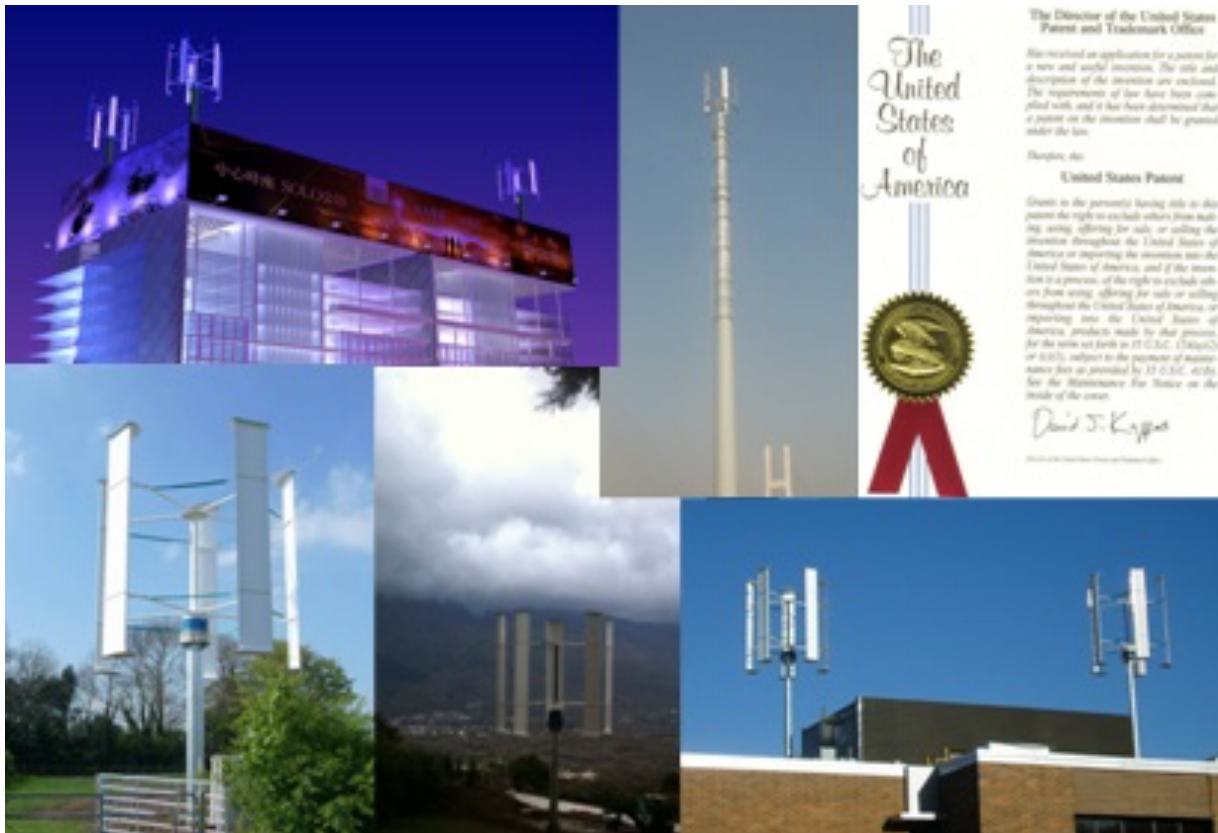
**Packing Size**

Mark	Name	Volume	Gross(KG)	Net(KG)	Package
P3000-S/L	Long Arms	120cm*41cm*26cm	85	70	Plywood Box
P3000-S/S	Short Arms	61cm*61cm*41cm	48	38	Plywood Box
P3000-FRM	Generator Assembly	244cm*87cm*77cm	525	470	Steel Frame
P3000-B	Blades	369cm*58cm*15cm*5	25*5	21*5	Paper Box
P30000-C-G/I	On-grid Controller	60cm*40cm*25cm	25	20	Plywood Box



**4 Cubic meters, Gross weight 804Kgs, Net weight 703Kgs**

**A 40ft open-top container can hold 12 units. (excluding the tower)**



**Application**

Protected by US Patents 7967569; 8272840; 8322035; 8390142; 8496433; 8567038;  
 Korea Patents 10-1039915; 10-1115740; 10-1296785; EU Patents 2098726; 2039929