

P1000-AB

Vertical Wind Turbine (VAWT)

Suitable for any Application; Urban to Rural, Residential to Commercial, Industrial to Institutional

Performance

Rated Power	1kW
Max Power	1.2kW
Rated Wind Speed	12m/s
Cut-In Speed	2.5m/s
Cut-Out Speed	25m/s
Survival Wind Speed	50m/s

Physical Parameters

Mill Diameter	1.8m(5.9ft)
Mill Height	2m(6.6ft)
Mill Weight	200kg (944 lbs.)
Tower Height & Weight	5.5m (235 kg) (518 lbs.)

Generator Parameters

Type	PMG 3 Phase
Rated Voltage	AC 250V
Rated Current	AC 2.3A
Protection Level	IP54

Controller Output

Output Voltage (On-grid)	DC 60-375V
Output Voltage (Off-grid)	DC 24/48V

Over Speed Protection & Braking System

Speed Control Style	Pitch Control System
Brake Style	Automatic Magnet Brake

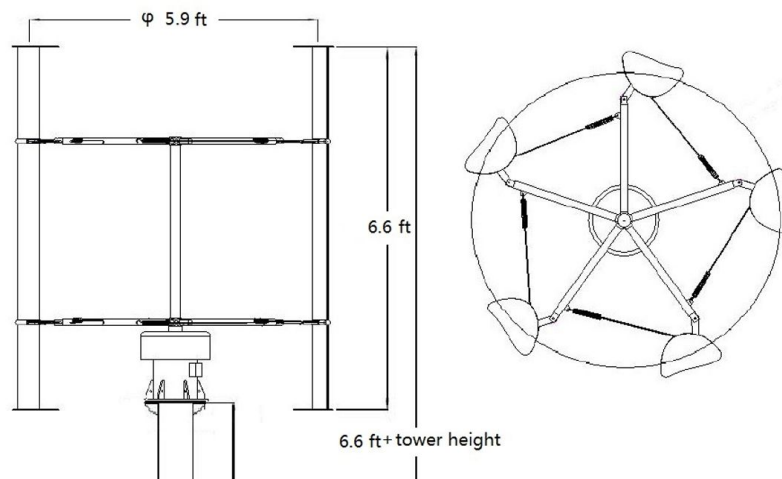


Advantages of VAWT

- Nearly Quiet
- Birds Friendly
- More Safety Features
- Wonderful Performance at Low Wind Speed
- Captures Wind from All Directions
- Longer Working Life
- Less Maintenance
- Less Requirements on Foundation
- Lower Supporting Tower

Advantages over Other VAWT

- High Efficiency
- Pitch Control to Govern Speed
- Automatic Magnet Brake



Annual power generation

Average Wind Speed(m/s)	<u>2</u>	<u>3</u>	<u>4</u>	<u>5</u>	<u>6</u>	<u>7</u>	<u>8</u>	<u>9</u>	<u>10</u>
Production (kWh)	172	352	780	1,403	2,168	2,983	3,773	4,485	5,088

Packing Size

Mark	Name	Volume	Gross(KG)	Net(KG)	Package
P1000-S	Arms	107cm*35cm*25cm	37	35	Paper Box
P1000-FRM	Generator Assembly	150cm*55cm*55cm	145	135	Steel Frame
P1000-B	Blades	208cm*40cm*36cm	35	30	Paper Box
P1000-C-G/I	On-grid controller	50cm*45cm*21cm	25	20	Plywood Box



1 Cubic meter, Gross weight 242Kgs, Net weight 220Kgs

A 20ft container can hold 24 units, a 40ft container can hold 50 units. (Excluding the tower)

P1000-FRM



Application



WIND SAIL ENERGY

226-377-5633
windsailenergy.com

Protected by US Patents 7967569; 8272840; 8322035; 8390142; 8496433; 8567038;
Korea Patents 10-1039915; 10-1115740; 10-1296785; EU Patents 2098726; 2039929